

HSAJET® Micron MC-HP1

Unique small controller and printer in one
ideal for repeat printing jobs



HP TIJ 2.5 technology

The HSAJET® Micron is based upon reliable HP TIJ 2.5 technology which delivers consistent, high-quality, fast printing, exceptional value, and ease of use.

Micron is ideal for printing labels and for all cartons for food and pharmaceuticals. The possibilities are endless.

Load print job from USB-key

Build your print job on a PC using the free MicroDraw software delivered with the printer. Transfer to USB-key and connect to your Micron printer and you are ready to print. The layout can be saved to the internal memory and the USB-key may be removed.

Easy to integrate and use

The Micron is an 'out of the box' unit. Place an ink-cartridge in the head, connect to power and print instantly by pushing a button.

The printer takes up very little space. Not much more than the actual print cartridge itself. This makes it very easy to integrate.

Print horizontally or simply change the position of the printer 90° for printing vertically/down.

Built-in sensor

The Micron printer has an internal sensor. If external sensor is required connect this directly to the printer.

The sensor distance is easily selected when designing the print job.

½" print height

The HSAJET® Micron runs with 1 HP print cartridge allowing a print height of 12,7 mm.

Ink Cartridges

You are able to select any HP ink cartridge you want when printing with the Micron. Spot colors, UV colors or fast drying inks are all available. The voltage for the specific ink can be changed when building the print job.

Prints in 300 x 300 dpi

- GRAPHICS
- TEXT (ALPHA NUMERIC)
- COUNTERS
- BARCODES (FIXED)
- DATE & TIME (REAL-TIME & ADJUSTED)
- 3 WINDOWS TRUE TYPE FONTS

Technical Details

HSAJET® MICRON MC-HP1

Build print jobs using MicroDraw PC software

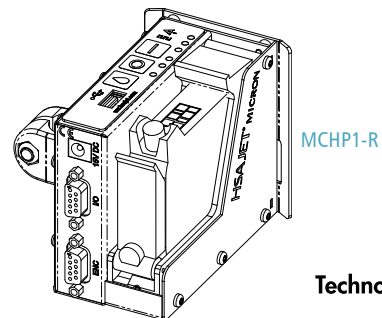
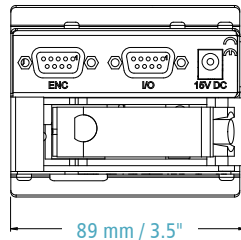
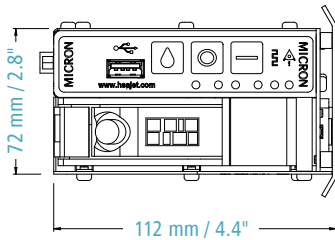
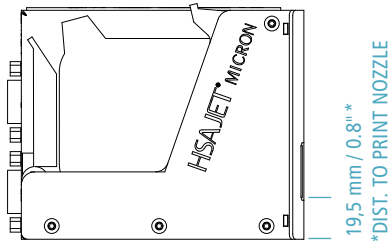
- THE PC-BASED MICRODRAW SOFTWARE EASES BUILDING OF PRINTJOBS. TRANSFER TO MICRON VIA USB STICK
- ADD, EDIT OR REMOVE PRINT OBJECTS
- ROTATE & SCALE TEXT, GRAPHICS, NUMBERS
- SET PRINT RESOLUTION IN SOFTWARE

Key features

- THE SMALL SIZE MAKES IT VERY EASY TO INTEGRATE
- PLACE AN INK CARTRIDGE IN THE HEAD, CONNECT TO POWER AND PRINT INSTANTLY

Accessories

- MOUNTING KIT (INOCON FLK1800121000 INCLUDED)
- ENCODER AND EXTERNAL SENSOR
- BRIDGES & BRACKETS



Resolution (DPI) (horizontal x vertical)	Max. speed	
	m / min	feet / min
600 x 300	38	125
300 x 300	76	250
150 x 150	152	500
75 x 150	304	1000

Ink reduction choices: 25%, 33%, 50%

Technical Data:

Technology:	HP TIJ 2.5
Print frequency:	15KHz
Print height:	Max. 12.7 mm / 1/2"
Print heads:	1 pen integrated
Print distance:	0.5 - 5 mm (nozzle to print surface)
Voltage:	15V (power supply included)
Design software:	MicroDraw (for WinPC)
Memory:	1 print job in unit
Print features:	Left/Right, upside-down, other side
Layout features:	Max. length 2400 px (~10 cm in 600 dpi) Unicode support in text and objects Rotation of static objects Works with mm/inch/point/pixel
Interface:	USB Encoder input 5-24V (SUB-D 9) In-/Output 5-24V (SUB-D 9)
Signals:	Low ink signal (diode) Print signal (diode) Built-in sensor
Complies to:	CE directives
Weight:	0.53 kg, 1.17 lbs

Inkjet Technology by  invent

DEALER:


HSA SYSTEMS
A UNIQUE IMPRINT

HSA Systems Denmark
DK-2740 SKOVUNDE | +45 4494 0222 || DK-5260 ODENSE S | +45 6610 3401

HSA Systems France
F-93160 NOISY-LE-GRAND | +33 1 4815 5050
www.hsasystems.com | mail@hsasystems.com